

Delivering the promise of health
Pure water dispensing unit [Solution for common commuters @ public places]

PCD

PURIFIES, COOLS
AND DISPENSES

100% SAFE
DRINKING WATER

**ANY PLACE
ANY TIME**

KEY FEATURES

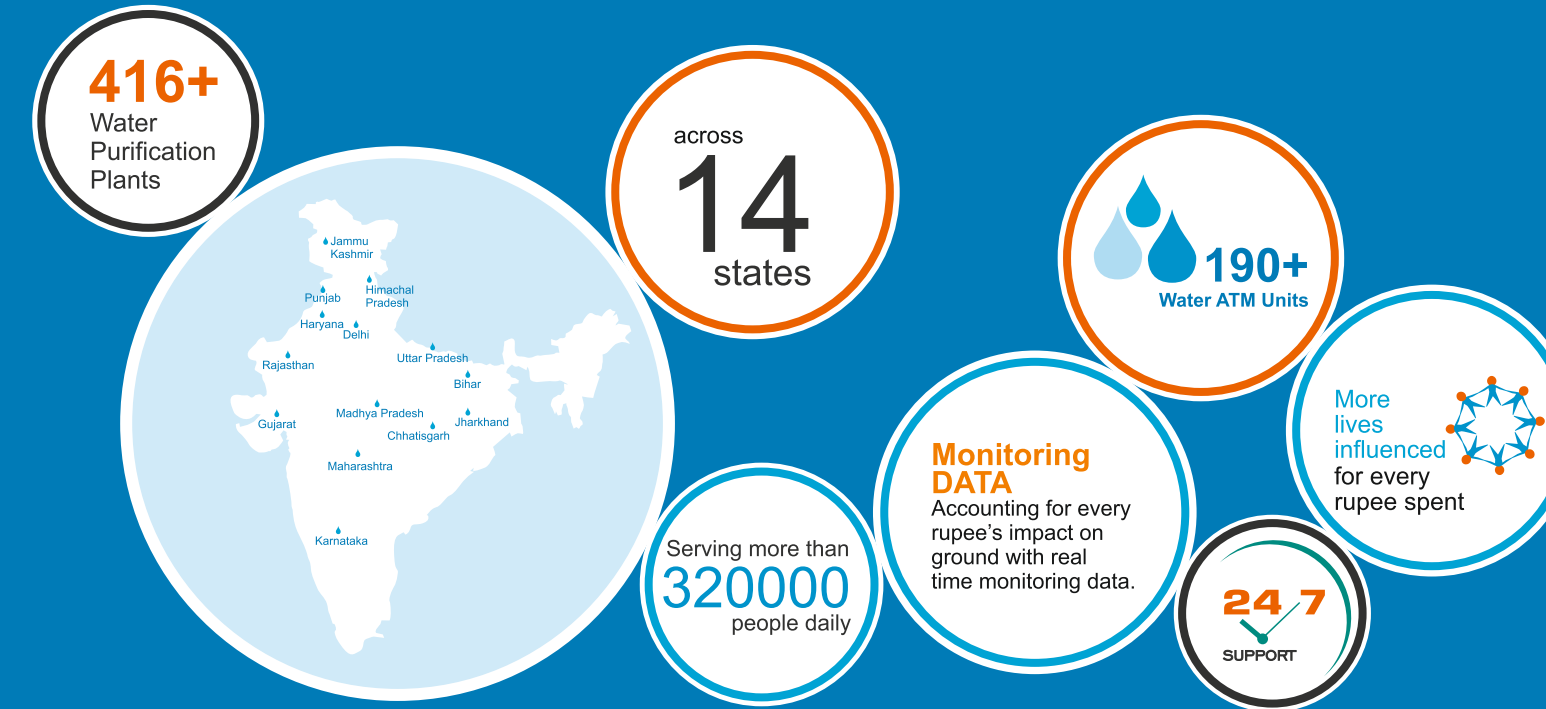
- Remote control of facility operations
- Real time control of water quality and consumption
- Monitoring machine health round the clock
- 24x7 water supply
- Flexible payment option
- Track and control water usage
- Detect and locate potential problems in real time
- Eliminating wasteful leaks
- Low operational cost
- Maintenance support



Smart Drinking Water Solutions

Piramal Sarvajal technologies currently enable the sustainable provision of safe drinking water in even the remotest of locations.

Sarvajal Footprint



Piramal Water Private Limited
 Chandan Bungalows, Opp. Paritosh Tower, Nr. Darpana Academy, Usmanpura, Ahmedabad, Gujarat - 380 013
 Ph: 079 40502100 Toll Free No.: 1800 103 2334 | Email: info@Sarvajal.com | Website: www.sarvajal.com

City



Limited, erratic supply
of poor quality water

Smart City



24x7 access to pure
drinking water

Fundamental ingredient to a healthy life

Access to safe drinking water

A **SMART** water system is vital to the sustenance and overall development of a healthy urban society. Piramal Sarvajal seeks to alleviate challenges in the urban safe drinking water management sector through **technologically innovative** products, solution and systems.



Purification

- Water quality:** Sensors installed in the system check the water quality of every drop and ensure high quality while monitoring health of the machine



Transportation

- No-touch transportation allows for efficient distribution of drinking water within urban spaces



Distribution

- Reliability:** Cloud controlled Water ATMs monitor each user transaction
- Increasing customer choice and control:** Transactions through RFID - enabled smart cards ensure price transparency and 24x7 access
- Green Innovation:** Off-the-grid solar powered Water dispensing that also reduces plastic litter by allowing customers to use their own vessels



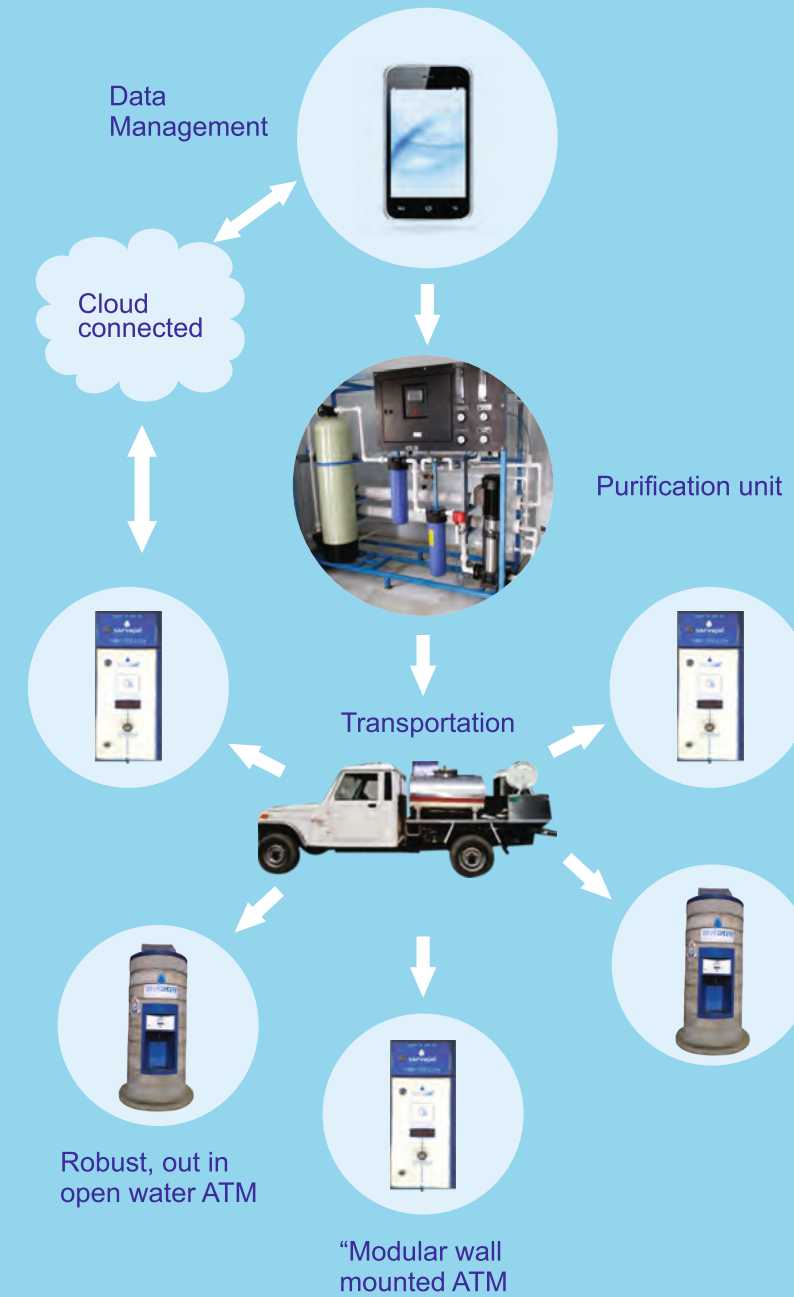
Data Management

- Real time control of water quality and consumption.
- Remotely diagnose issues to minimize maintenance costs

Optimize distribution and asset management

Smart Water Systems [For non-piped communities, Hub and Spoke Solutions]

- S** Surety of Quality
- M** Measurable
- A** Affordable
- R** Reliable
- T** Time Flexible (24x7 flexibility)



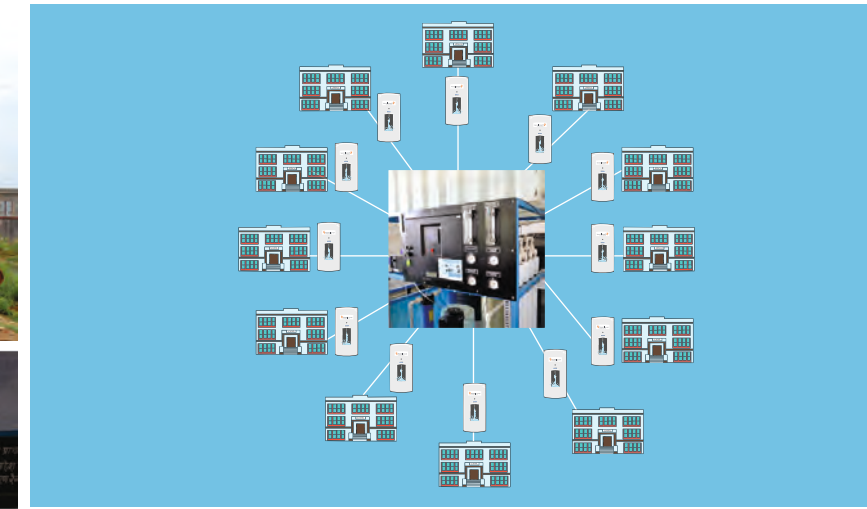
Hub & Spoke Case Studies

RURAL SCHOOL PROJECT

1600 PRIMARY STUDENTS AND TEACHERS INCLUDING 870 GIRLS IN 12 SCHOOLS

Have access to clean drinking water daily through 1 central purification unit & 12 water ATMs

Multiple Collaborators
Michael & Susan Dell Foundation
Jaipur Zila Parishad
Rajasthan Government

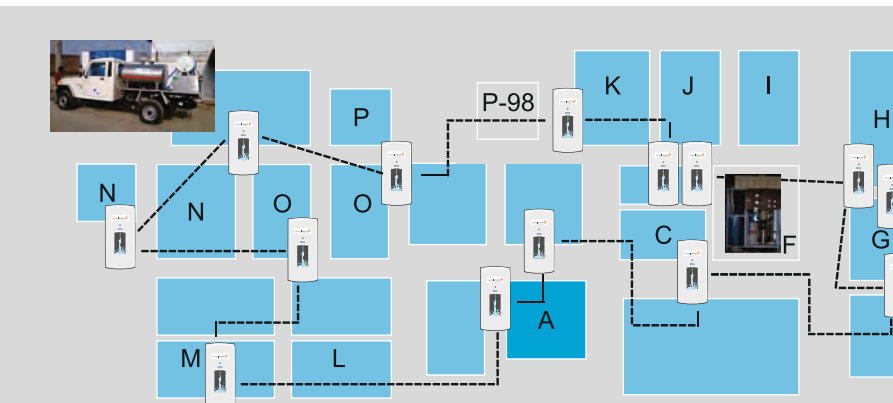


URBAN WATER PROJECT

7500 FAMILIES LIVING IN SAWDA GHEWRA JJ COLONY

[NCR Delhi]

Have access to clean drinking water daily through 1 central purification unit and 15 Water ATMs all within 1.5 km radius



PUBLIC PRIVATE PARTNERSHIP (PPP) DELHI JAL BOARD

